

Inline Fittings

Chem

Energy

Pharm

Food



ARI 106 (H) Inline Fitting

Inexpensive and robust inline fitting for 12-mm sensors, for chemical processes and hygienic applications

The modular concept allows adaptation to virtually every process. Replacement of components or expansion is possible at any time. Suitable for aggressive chemical processes as well as processes with hygienic requirements. pH sensors with polymeric electrolyte or with refillable, pressurizable electrolyte can be used. Also accepts conductivity and oxygen sensors with 12 mm diameter. For operation in hazardous locations.

Applications

pH, conductivity, or oxygen measurement in chemical processes, in the pharmaceutical or food industry and in biotechnology

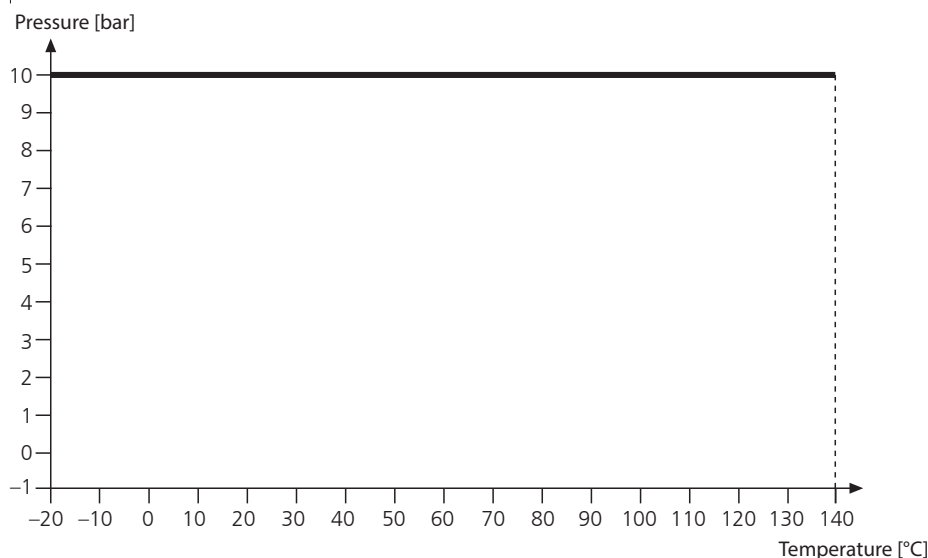
Facts

- adaptable to individual process conditions
- modular design
- material: steel or highly resistant plastic
- suitable for chemical process media
- suitable for hygienic applications
- CIP- and SIP-capable, autoclavable
- for pH sensors with polymeric electrolyte
- for pH sensors with pressurizable liquid electrolyte
- for oxygen or conductivity sensors with Pg 13.5 connection, 120 mm length, and 12 mm diameter
- integrated sensor protection
- suitable for hazardous locations

Specifications

Material:	see product line (page 204)
Process connection:	see product line (page 204)
Pressure:	-1 ... +10 bars
Temperature:	-20 ... +140 °C
Sensors (polymeric electrolyte):	Pg 13.5 diameter: 12 mm length: 120 mm diameter: 12 mm
Sensors (liquid electrolyte):	length: 120 mm e.g. SE 551/1 or SE 551/1-NMSN

Pressure/Temperature Diagram

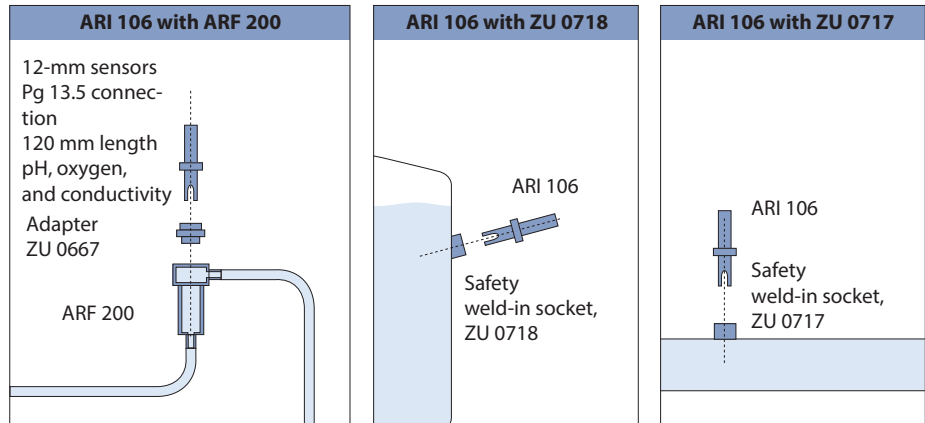


For up-to-date information, please visit www.knick.de

Knick

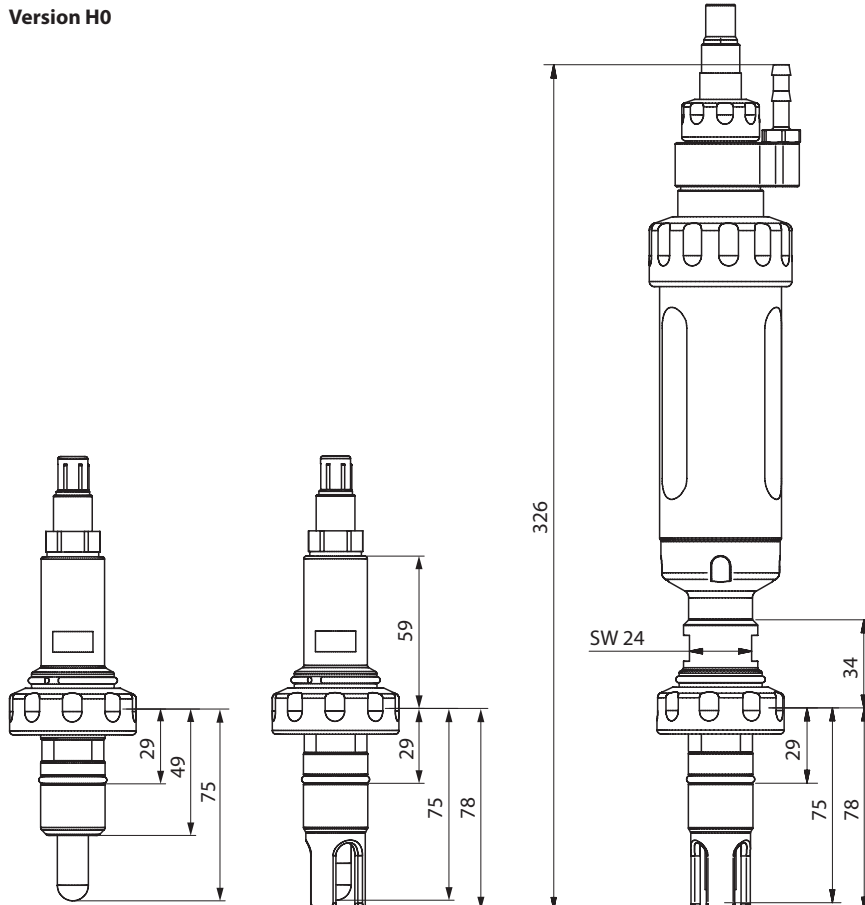
Modular System

Various process connections are available for this inline fitting.

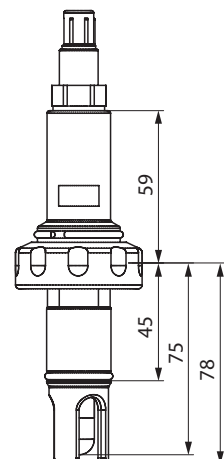


Dimension Drawings

Version H0



Version HZ



Inline Fittings

Chem

Energy

Pharm

Food

ARI 106 (H) Inline Fitting

Product Line		Order No.										
Inline fitting for chemical processes		ARI 106 / N <input type="checkbox"/> <input type="checkbox"/> <input type="checkbox"/> <input type="checkbox"/> <input type="checkbox"/> <input type="checkbox"/> <input type="checkbox"/> <input type="checkbox"/> <input type="checkbox"/> <input type="checkbox"/> - <input type="checkbox"/> <input type="checkbox"/> <input type="checkbox"/>										
Sensor	solid electrolyte liquid electrolyte (pressurization possible)	0 1										
Gasket material	elastomeric ring set A, FKM (Viton) elastomeric ring set B, EPDM elastomeric ring set C, FFKM (Kalrez)	A B C										
Process-wetted materials	PEEK 1.4435	C H										
Process adaptation	Ingold socket 25 mm (G 1 1/4"), 29.0 mm groove Ingold socket 25 mm (G 1 1/4"), 45.0 mm groove		H H	0 Z								
Immersion depth	short				A							
Probe guard	without with					A B						
Special variant	none									0	0	0
Hygienic inline fitting		ARI 106H / N <input type="checkbox"/> <input type="checkbox"/> <input type="checkbox"/> <input type="checkbox"/> <input type="checkbox"/> <input type="checkbox"/> <input type="checkbox"/> <input type="checkbox"/> <input type="checkbox"/> <input type="checkbox"/> - <input type="checkbox"/> <input type="checkbox"/> <input type="checkbox"/>										
Sensor	solid electrolyte liquid electrolyte (pressurization possible)	0 1										
Gasket material	elastomeric ring set F, FKM FDA/USPVI elastomeric ring set E, EPDM FDA/USPVI elastomeric ring set H, FFKM FDA/USPVI	F E H										
Process-wetted materials	PEEK 1.4435	C H										
Process adaptation	Ingold socket 25 mm (G 1 1/4"), 29.0 mm groove Ingold socket 25 mm (G 1 1/4"), 45.0 mm groove		H H	0 Z								
Immersion depth	short				A							
Probe guard	without with					A B						
Special variant	none									0	0	0

For up-to-date information, please visit www.knick.de

Isolation Amplifiers
Transmitters

Indicators

Process Analytics

Portable Meters

Laboratory Meters

Sensors

Fittings

Knick 

Accessories

Order No.

Safety weld-in socket G 1 1/4" straight, for length see page 206	for tank wall	1.4435	ZU 0717
	for pipe DN 50	1.4435	ZU 0717/DN50
	for pipe DN 65	1.4435	ZU 0717/DN65
	for pipe DN 80	1.4435	ZU 0717/DN80
	for pipe DN 100	1.4435	ZU 0717/DN100
Safety weld-in socket G 1 1/4" beveled, for length see page 207	for tank wall	1.4435	ZU 0718
	for pipe DN 50	1.4435	ZU 0718/DN50
	for pipe DN 65	1.4435	ZU 0718/DN65
	for pipe DN 80	1.4435	ZU 0718/DN80
	for pipe DN 100	1.4435	ZU 0718/DN100
	for tank wall	Hastelloy C22	ZU 0718/C22