

Radiation resistant piezoelectric velocity transducer

793VR



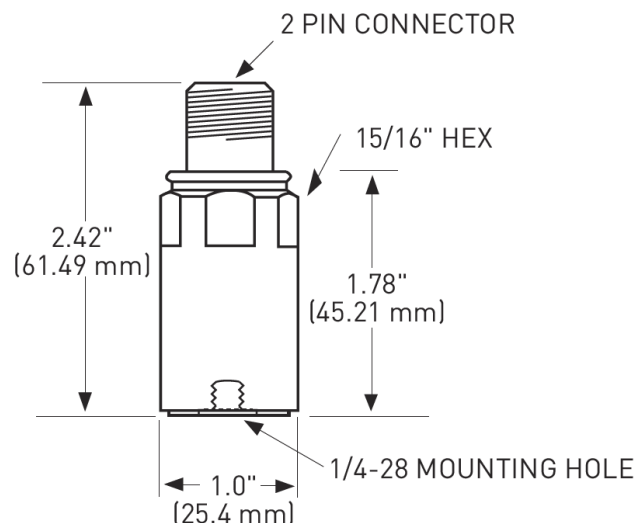
Key features

- Rugged design
- Eliminates distortion caused by high frequency signals
- Corrosion resistant
- ESD protection
- Internally integrated to velocity
- Ultra low-noise electronics for clear signals at very low vibration levels
- Ground isolated
- Hermetically sealed
- Miswiring protection
- Radiation rated

Certifications




Connections	
Function	Connector pin
power/signal	A
common	B



Note: Due to continuous process improvement, specifications are subject to change without notice.
This document is cleared for public release.

Wilcoxon Sensing Technologies
20511 Seneca Meadows Parkway
Germantown, MD 20876
info@wilcoxon.com

Tel: (301) 330 8811
Fax: (301) 330 8873
www.wilcoxon.com

Zastoupení a distribuce pro ČR a SR:
 **PROFESS, spol. s r.o.**
Machine Monitoring Systems
Květná 5, 326 00 PLZEŇ, CZ
tel: 377 454 411, fax :377240472
mms@profess.cz, www.profess.cz

Wilcoxon Sensing Technologies
An Amphenol Company

Radiation resistant piezoelectric velocity transducer

793VR

SPECIFICATIONS

Sensitivity, $\pm 10\%$, 25° C	100 mV/in/sec
Velocity range	50 in/sec peak
Amplitude nonlinearity	2.5%
Frequency response:	$\pm 10\%$ 2.5 - 3,500 Hz ± 3 dB 2.0 - 7,000 Hz
Resonance frequency, mounted, nominal	15 kHz
Transverse sensitivity, max	5% of axial
Temperature response:	-50° C -5% +120° C +5%
Power requirement:	
Voltage source	18 - 30 VDC
Current regulating diode¹	2 - 10 mA
Electrical noise, equiv. g, nominal:	
Broadband 2.5 Hz to 25 kHz	100 μ in/sec
Spectral 10 Hz	10 μ in/sec/ $\sqrt{\text{Hz}}$
100 Hz	1.0 μ in/sec/ $\sqrt{\text{Hz}}$
1,000 Hz	0.2 μ in/sec/ $\sqrt{\text{Hz}}$
Output impedance, nominal 4 mA supply, the greater of:	5,000/f or 20 Ω
Bias output voltage, nominal	10 VDC
Grounding	case isolated, internally shielded
Temperature range	-50 to +120° C
Vibration limit	250 g peak
Shock limit	5,000 g peak
Electromagnetic sensitivity, equiv. in/sec	25 μ in/sec/gauss
Base strain sensitivity	0.001 in/sec/ μ strain
Radiation exposure limit	1 x 10 ⁷ RADs
Weight	133 grams
Case material	stainless steel
Mounting	1/4-28 tapped hole
Output connector	2 pin, MIL-C-5015 style
Mating connector	R6, R6QN
Recommended cabling	J9T2

Contact

Wilcoxon Sensing Technologies

20511 Seneca Meadows Parkway
Germantown MD 20876, USA

Tel: +1 301 330 8811
Fax: +1 301 330 8873

info@wilcoxon.com

www.wilcoxon.com

Accessories supplied:

- Calibration data
- SF6 mounting stud

Accessories available:

R6SL series cable assembly, magnetic mounting bases, cementing studs, power supplies, amplifiers, signal conditioners

Notes: ¹ A maximum current of 6 mA is recommended for operating temperatures in excess of 100° C.

Note: Due to continuous process improvement, specifications are subject to change without notice.
This document is cleared for public release.

Wilcoxon Sensing Technologies
20511 Seneca Meadows Parkway
Germantown, MD 20876
info@wilcoxon.com

Tel: (301) 330 8811
Fax: (301) 330 8873
www.wilcoxon.com

Zastoupení a distribuce pro ČR a SR:

 **PROFESS**, spol. s r.o.
Machine Monitoring Systems
Květná 5, 326 00 PLZEŇ, CZ
tel: 377 454 411, fax :377240472
mms@profess.cz, www.profess.cz

Wilcoxon Sensing Technologies
An Amphenol Company