

Cable type RAA-J9T2A

For industrial sensors with 2-pin MIL-C-5015 connector



KEY FEATURES:

- Heavy duty connection cable for piezoelectric vibration sensors Wilcoxon or other industrial sensors
- Special right angle connector (2-pin MIL-C-5015), with an ability of rotating from 0 – 270°, IP63
- Metal protection tube as option
- Harting connector as option
- Length according to specification
- Optional thread

Application and description

Connection cables type RAA-J9T2A-L-xxx-yyy is intended for connection between sensors WILCOXON and measuring device. The cable is constructed from shielded, twisted pair cable J9T2A (2x0,518mm²-2xAWG20, temperature range -80 ÷ 200 °C).

Termination

This cable is at one side ended by angular connector, which is adjustable within 270 °C. Ending of another

side of the cable can be performed by free wires and shielding with sockets, or connector HARTING.

Protection

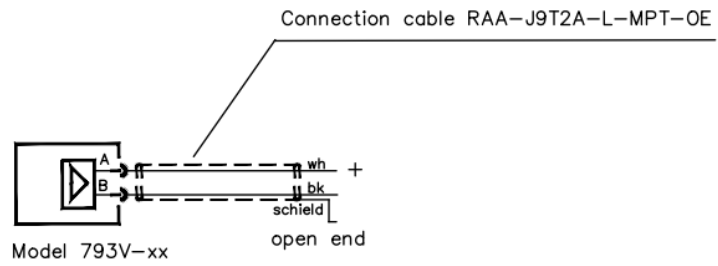
The cable can be protected by the stainless metal protection tube DN8 ended by M20x1,5 sleeve and M20x1,5 nut.

Electrical wiring

Connections:

White : PIN A signal, power (+)

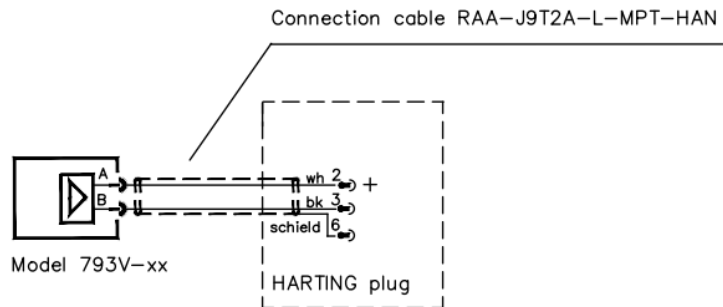
Black: PIN B common



Connections:

2 : A- white, signal, power (+)

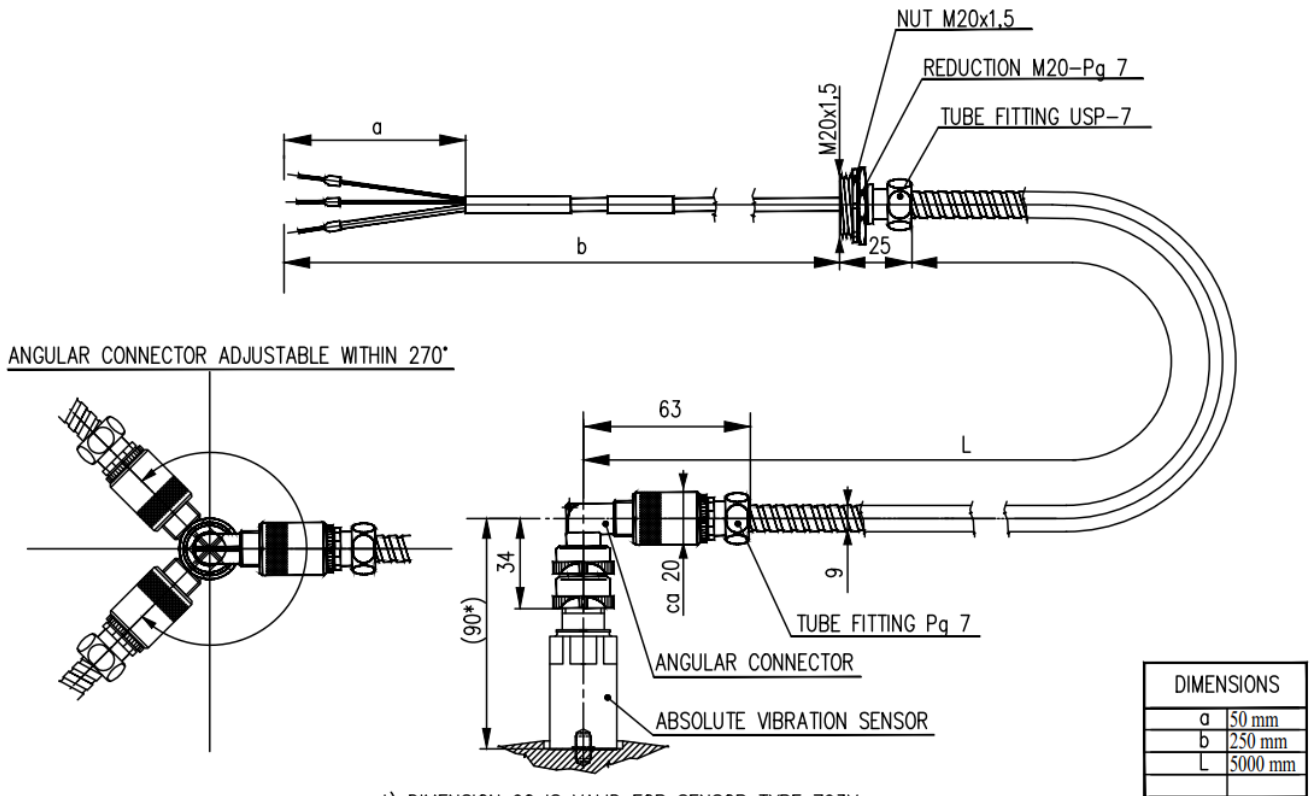
3 : A- black, common



Cable configuration examples

- Configuration with protective hose and open end:

Cable type RAA-J9T2A-L-MPT-OE

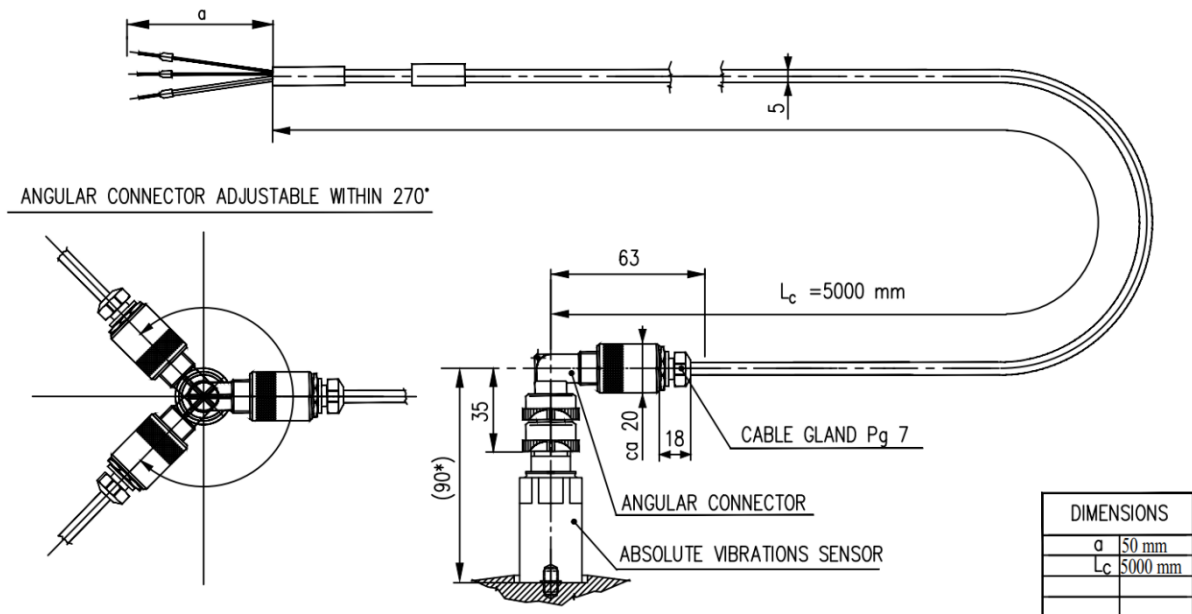


*) DIMENSION 90 IS VALID FOR SENSOR TYPE 793V

- **Configuration without protective hose and open end**

Cable type RAA-J9T2A-5

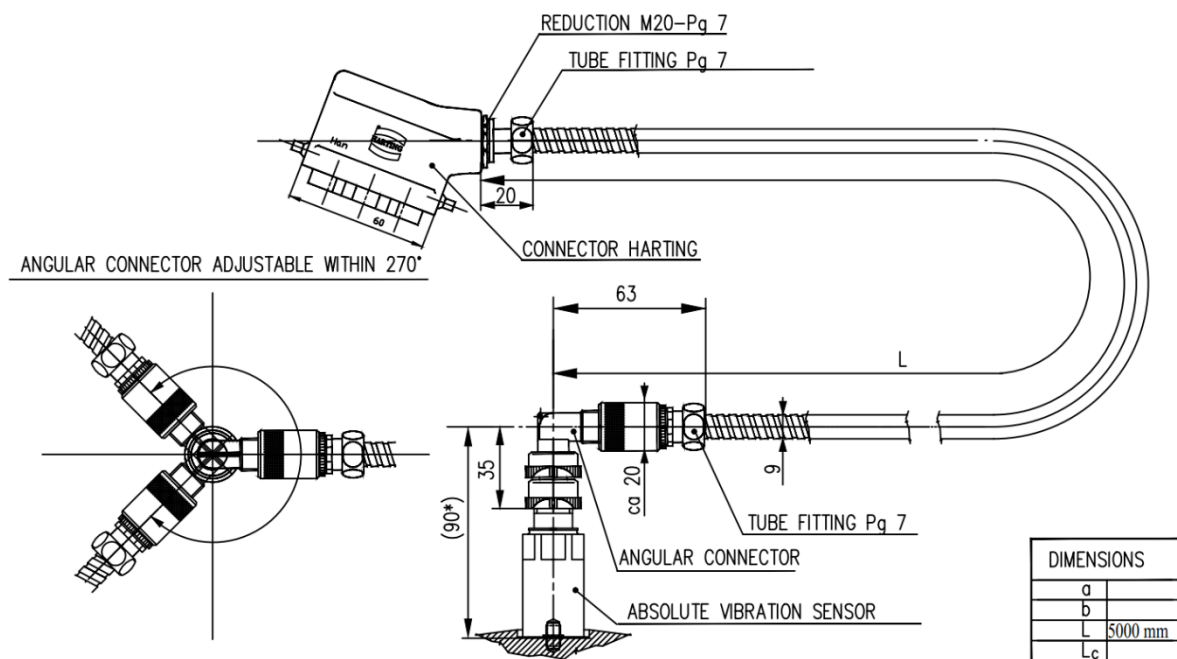
This design is ideal for applications requiring cable entry through a bearing housing wall. The entry point must be thoroughly sealed and mechanical protection for the cabling must be provided outside the machine. For this purpose, the PROFESS MPT13 protective hose is available as an optional accessory.



*) DIMENSION 90 IS VALID FOR A SENSOR TYPE 793V

- **Configuration with protective hose and connector Harting:**

Cable type RAA-J9T2A-L-MPT-HAN



*) DIMENSION 90 IS VALID FOR SENSOR 793V

Copyr _

Ordering form

R	A	A	-	J	9	T	2	A	-	L	-	x	x	x	-	y	y	y
---	---	---	---	---	---	---	---	---	---	---	---	---	---	---	---	---	---	---

RAA	Adjustable angle connector
J9T2A	Yellow Teflon cable
L	Cable length (m)
xxx	MPT – Stainless steel protective hose DN8; unless otherwise specified, this is the version without a hose
yyy*	OE – Open-end cable terminated with ferrules HAN – Harting connector

*Note: If different type of sleeve is required (e.g., Pg 11, COMBI gland etc.), please specify it when placing your order.

Ordering examples:

RAA-J9T2A-5	Angular connector, length 5m, cable without metal protection tube and with cut end
RAA-JT2A-5-OE	Angular connector, length 5m, cable without metal protection tube and with free wires
RAA-JT2A-5-MPT-OE	Angular connector, length 5m, cable with metal protection tube and with free wires
RAA-JT2A-5-MPT-HAN	Angular connector, length 5m, cable with metal protection tube and with connector HARTING