



Probe Holder

AMS EZ 1000 Probe Holders permits mounting of eddy current sensors of type EZ105x and EZ108x at machines so that they can be adjusted from outside. The sensors can be changed even on machines that are operating. The probe holder enables an oil-tight mounting of the sensors.



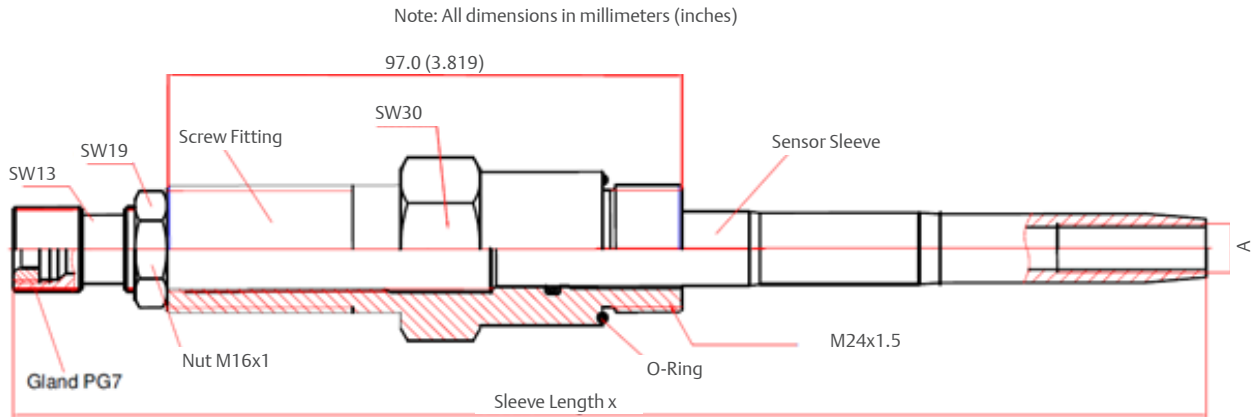
Performance	
Adjustable Range	40 mm (1575 mils)
Immersion Depth	Up to 450 mm (17.7in), depending on type, see ordering information.
Environmental, General	
Protection Class	IP45, IEC 60529
(With optional Connection Head only)	IP65 – if adapter (position 10 on figure 3) is glued in sealed with adhesive Loctite 620 or equal.
Operating Temperature Range	See individual sensor specsheet for details on operating range.
Differential Pressure and Sealing	2000 hpa (29 psi), if sensor is glued in.
Material	Holder (Stainless Steel, 1.4305) Connection Head (Aluminum die-cast with polyester coating)
Mounting Hints	
The sensor can be fixed within the sensor sleeve by locking with an appropriate nut or by gluing in with adhesive Loctite 620 or equal.	

Hazardous Area Approvals

Connection Head	 II 2GD EEx e II FTZU 03 ATEX 0073 U Zone 1, Zone 2, Zone 21, Zone 22
Ex-Gland M16x1.5 and M20x1.5	 II 2G Ex eb IIC Gb II 2D Ex tb IIIC Db IP66/68 PTB 14 ATEX 1011X xx CE 0102 xx = M16, M20

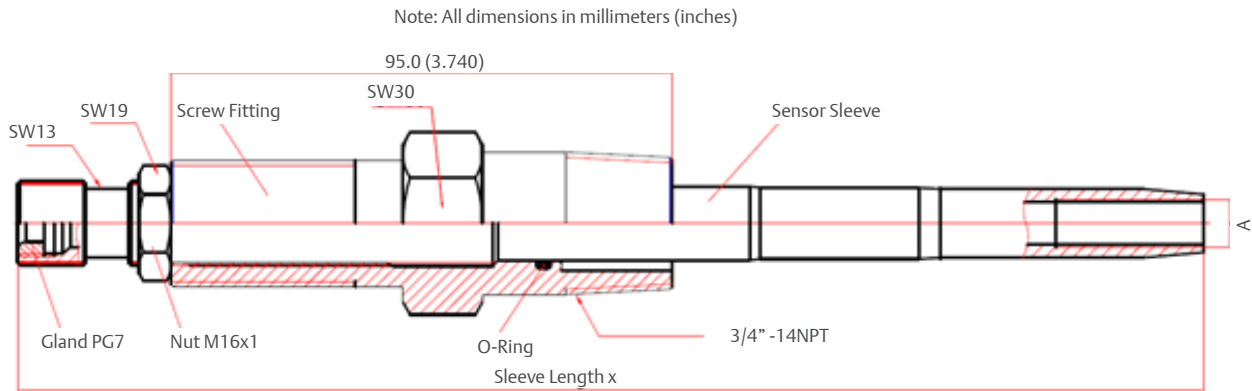
Dimensions

EZ16xx-xxx-01 with M24x1.5 Thread



A. Thread: M8x1 @ EZ1650, 1/4" -28UNF @ EZ1652, M10x1 @ EZ1680, 3/8" -24UNF @EZ1682

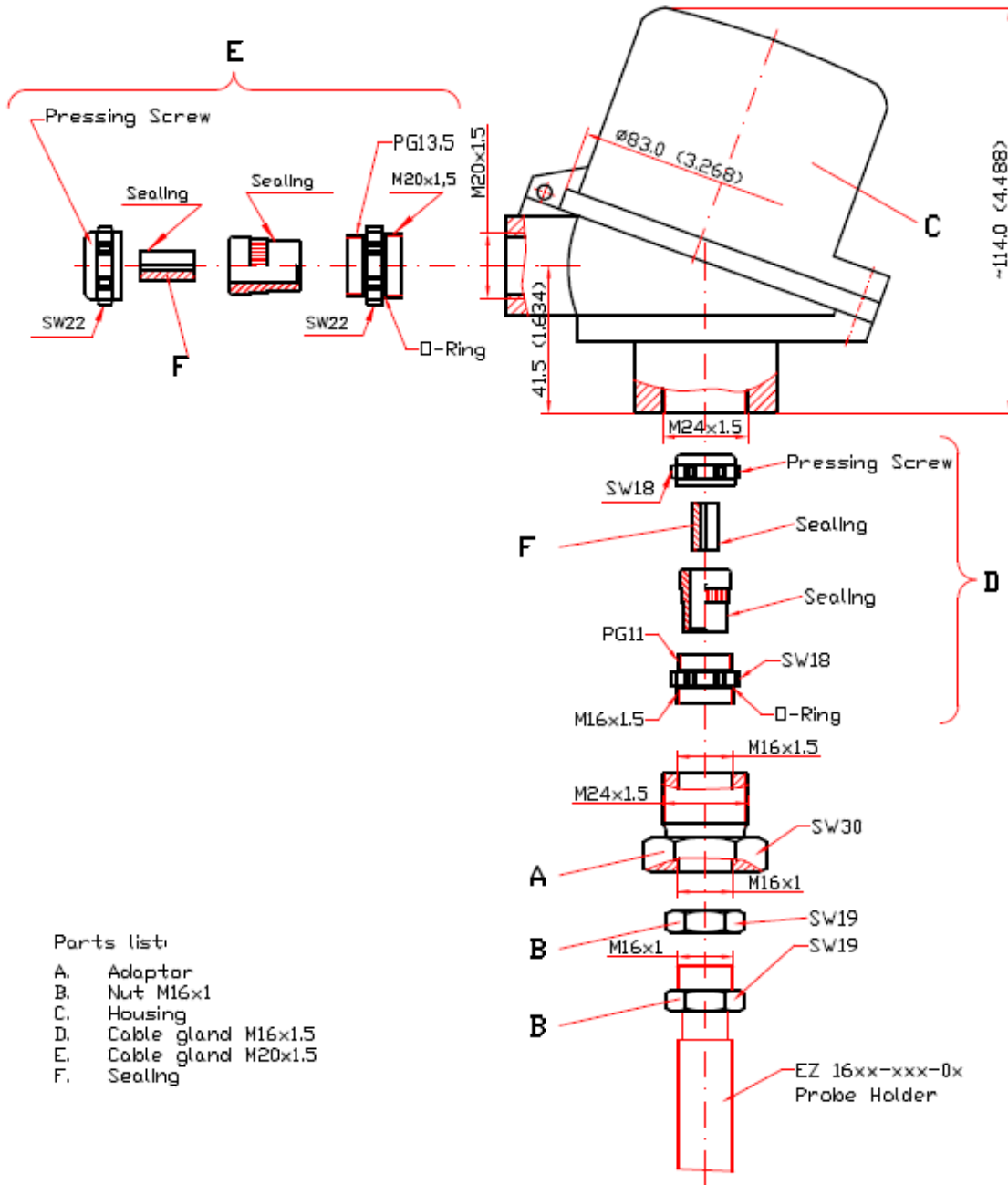
EZ16xx-xxx-02 with 3/4"-14NPT Thread



A. Thread: M8x1 @ EZ1650, 1/4" -28UNF @ EZ1652, M10x1 @ EZ1680, 3/8" -24UNF @EZ1682

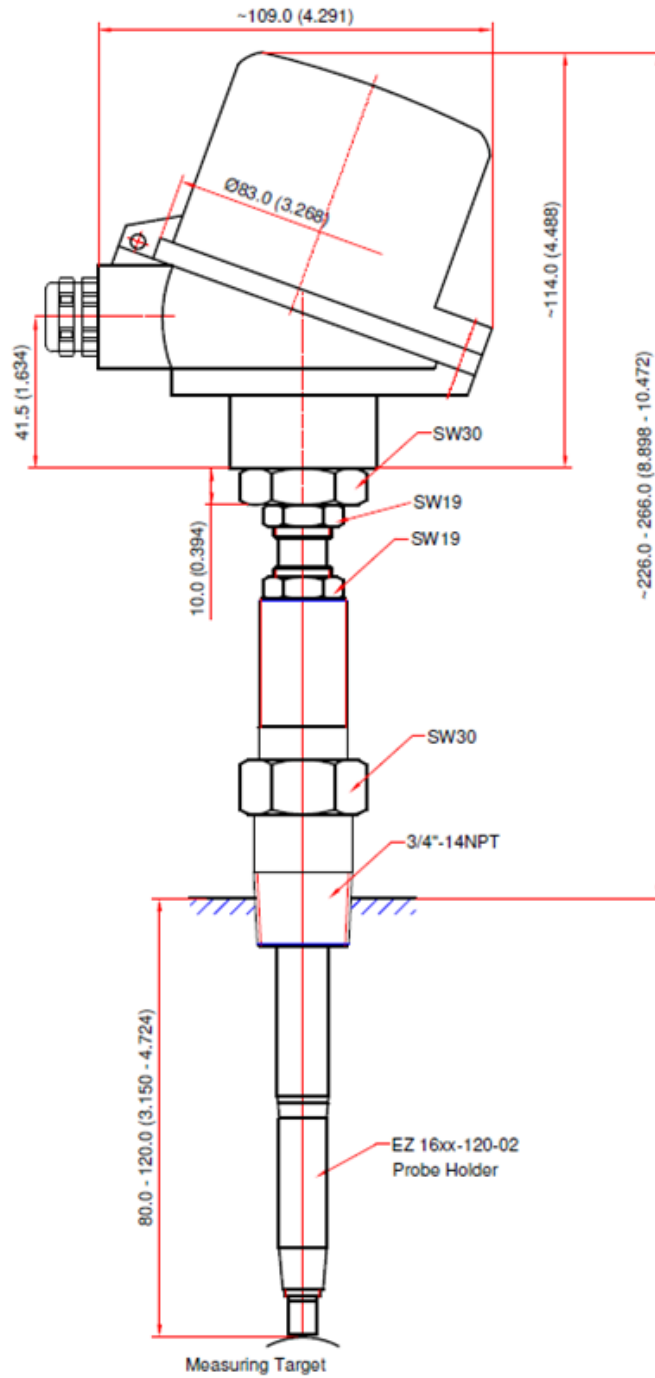
EZ1600-HEAD

Note: All dimensions shown in millimetres (inches)



EZ1600-xxx-xx with EZ1600-HEAD

Note: All dimensions shown in millimetres (inches)



Ordering Information

Holder for Sensor Type	Holder for Sensor Thread	Model No.
EZ1050	M8x1	EZ1650
EZ1080	M10x1	EZ1680
EZ1052	¼"-28UNF	EZ1652
EZ1082	3/8"-24UNF	EZ1682

Model No.	-	Adjustable Range (mm) XXX	-	Screw Fitting XX
EZ1650		070 30-70 (x=169mm)		01 M24x1.5
EZ1652		090 50-90 (x=189mm)		02 ¾"-14 NPT
EZ1680		120 80-120 (x=218mm)		
EZ1682		150 110-150 (x=248mm)		
		180 140-180 (x=278mm)		
		210 170-210 (x=308mm)		
		240 200-240 (x=338mm)		
		270 230-270 (x=368mm)		
		300 260-300 (x=398mm)*		
		330 290-330 (x=428mm)*		
		360 320-360 (x=458mm)*		
		390 350-390 (x=488mm)*		
		420 380-420 (x=518mm)*		
		450 410-450 (x=548mm)*		

* Holders of this length must be secured at the lower part of the sensor sleeve so that the holder tip cannot move.

Example:

EZ1650-070-01

ECS PROBE HOLDER FOR EZ1050, M24X1.5, RANGE 30-70MM

Product Accessories

Model Number	Product Description
EZ1600-HEAD	ECS PROBE HOLDER CONNECTION HEAD, ATEX

Ordering Information Sensor

Tip Diameter	Case Threads	Armored Cable	Model No.
5mm	M8x1	No	EZ1050
8mm	M10x1	No	EZ1080
5mm	¼"-28 UNF	No	EZ1052
8mm	3/8"-24 UNF	No	EZ1082

Model No.	-	Case Length XX	-	Unthreaded Length XX	-	Cable Length XX
EZ1050		02 20mm (Minimum) I 05 50mm (Maximum)		00 0mm, No UTL		005 0.5m* 010 1.0m 015 1.5m 020 2.0m 050 5.0m 100 10.0m
EZ1080		Order in increments of 10mm RM Reverse Mount Note: Reverse Mount is only available with 8mm sensors.				
EZ1052		08 0.8in 10 1.0in (Minimum) I 20 2.0in (Maximum)		00 0.0in, No UTL		
EZ1082		Order in increments of 0.5in RM Reverse Mount Note: Reverse Mount is only available with 8mm sensors.				

*This version is not feasible to holders with adjustable range longer than 300mm.

Example:

EZ1080-02-00-050

EZ 8mm, M10X1, NO ARMOR, 20MM SLEEVE, 0MM UNTHREADED, 5M CABLE

Emerson
Reliability Solutions
835 Innovation Drive
Knoxville, TN 37932 USA
☎ +1 865 675 2400
🌐 www.emerson.com/ams

©2019, Emerson. All rights reserved.

The Emerson logo is a trademark and service mark of Emerson Electric Co. The AMS logo is a mark of one of the Emerson family of companies. All other marks are the property of their respective owners.

The contents of this publication are presented for informational purposes only, and while diligent efforts were made to ensure their accuracy, they are not to be construed as warranties or guarantees, express or implied, regarding the products or services described herein or their use or applicability. All sales are governed by our terms and conditions, which are available on request. We reserve the right to modify or improve the designs or specifications of our products at any time without notice.