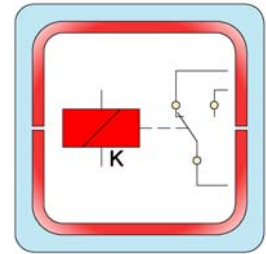


MMS 6750

Relay Card



- For adapting MMS 6000 alarm functions to external systems
- 6 relays, each with two double change-over contacts
- Replaces the functionality of the REL 054
- Installation in 19" frames
- Status indication by means of LEDs at the front plate, one LED per relay
- Wide control voltage range (16,8 ... 32,0 V DC)
- Low input current

Application:

The relay card **MMS 6750** was developed for the use in industrial applications where reliable adaptation between electronic equipment and system devices is required. The **MMS 6750** offers a simple adaptation of low-level logic signals to electronic devices. The relay cards are optimally suitable for **MMS 6000** cards for the output of:

- pre and main alarms
- error indications

Such alarm outputs are required in conjunction with machine monitoring systems for measuring vibration, axial shaft displacement and speed.

The individual relays on the card are energized with a positive dc voltage. To avoid fault functions due to wrong polarities of the supply voltage, diodes are connected in parallel to the relay coils.

Together with the energization of the relay, the relevant yellow LED on the front of the card is switched on to indicate the state of the relay.

The card with 6 relays can be switched via a jumper block to the functionality of the REL 054 with 5 relays and binary control inputs.

Technical Data:

Relays:

6 double change-over contacts. In REL054-mode 5 relays are available.

Form:

C / DPDT (Double throw)

Operation voltage:

16,8 ... 32,0 V DC

Input resistance:

> 2 k Ω

Response time:

< 10 ms

Contacts:

2 change-over contacts per relay

max. switching current DC / AC:

2 A / 2 A_{rms}

max. switching voltage DC / AC:

48 V DC / 60 V AC_{rms}

max. switching capacity DC / AC:

60 W / 125 VA

Switching cycles:

> 3 x 10⁵

Technical Data:

Control Input:

only REL054 mode

Number of control inputs:
5 with common ground

Signal level:

LOW: 0 ... 1 V DC
HIGH: 5 ... 32 V DC

Input resistance:

> 5 k Ω

Environmental conditions:

Application class:

KTF in accordance with DIN 40 040

Ambient temperature:

+ 25 °C reference temperature
0 ... + 65 °C nominal range

Storage and transport temperature
- 30 ... + 85 °C

Relative humidity:

5 ... 95% without condensation

Vibration:

in accordance to IEC-68-2 part 6

Amplitude:

0,15 mm at 10 ... 50 Hz

Acceleration

19,6 mm/s²

Schock:

in accordance to IEC-68-2 part 29

Peak acceleration value:

98 m/s²

Nominal duration of shock:

16 ms

Enclosure protection class:

IP 00, open design in
accordance with DIN 40 050

EMC immunity:

In accordance with EN 50 081-1 /
EN 50 082-2 satisfied

Mechanical structure:

Plug connector:

DIN 41 612, form F 48 M

Dimensions:

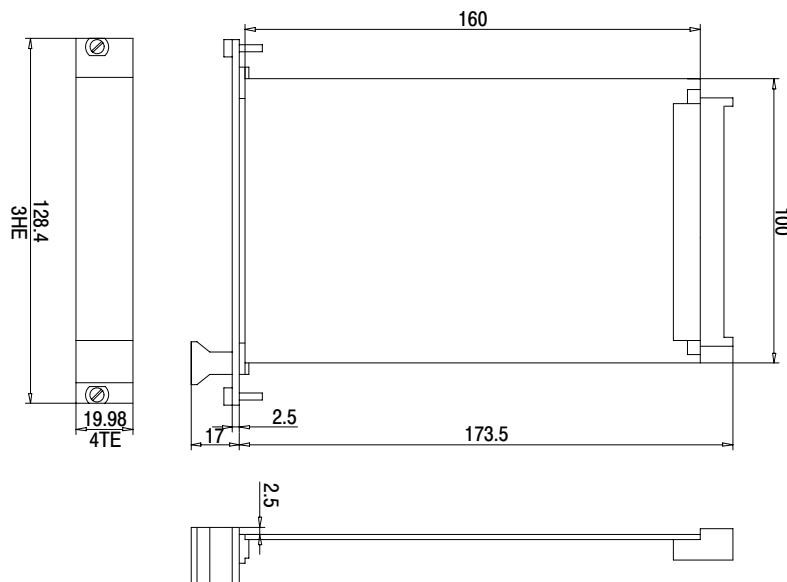
See drawing

Weight:

approx. 150 g without packaging

approx. 300 g with standard
packaging

Dimensions:



All dimensions in mm.
Alle Abmessungen in mm.

Order number:

MMS 6750

Relay card with 6 double change-over contacts

9100-00100

Warning note:



Installation and commissioning of the card may only be made by trained staff.
The manufacturer is not liable for damages which were caused by improper use or
by operation error of not authorized persons.

© epro GmbH

Jöbkesweg 3 D-48599 Gronau

Tel. +49 (0) 2562 709-0

Fax +49 (0) 2562 709-255

Further information:

Internet: www.epro.de

E-mail: info@epro.de