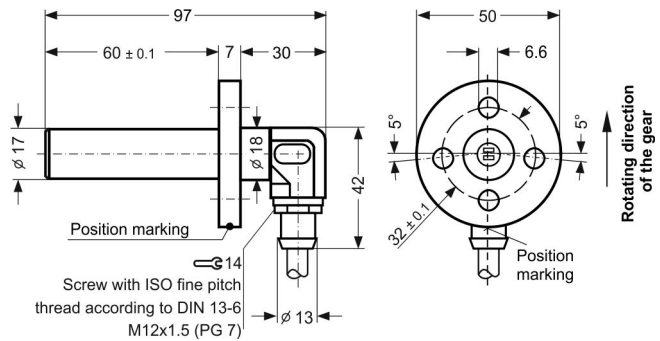


Characteristics

Rated operating distance 0.8 ... 1.6 mm for modules 1 ... 4.
 Static version, 0 ... 12 kHz.
 DC three-pole, push-pull output (plus- and minus-switching).
 Rotation speed detection with high operating frequency (up to 12 kHz) and high geometrical resolution (module ≥ 1).
 Hall element sensors are unsuitable for detecting slots, for axial approach, and for non-magnetic materials.

Dimensions



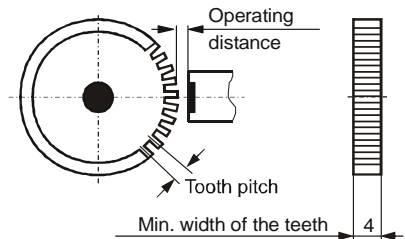
Technical Data

(Unless otherwise specified $U_B = 24\text{ V}$, $T_U \approx 23\text{ °C}$, and $I_L = 0$)

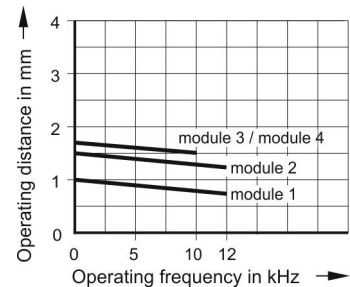
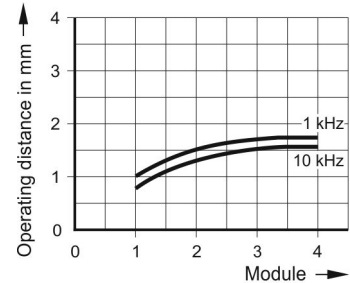
Rated operating distances s_n (10 kHz)	0.8 mm for module 1 1.3 mm for module 2 1.6 mm for module 3 1.6 mm for module 4
Effective operating distance s_r	$s_n (1 \pm 10\%)$
Operating voltage U_B	10 ... 24 ... 30 VDC
Permissible ripple voltage	10 %
Current consumption without load	$\leq 25\text{ mA}$
Maximum current load capacity of the output	$\leq 25\text{ mA}$
Residual current (locked output)	plus-switching $\leq 0.3\text{ mA}$ minus-switching $\leq 0.3\text{ mA}$
Voltage drop (conductive output; $I_L = 25\text{ mA}$)	plus-switching $\leq 12\text{ V}$ minus-switching $\leq 10\text{ V}$
Output	push-pull, short circuit protection $\leq 20\text{ s}$
Operating frequency f	0 ... 12 kHz
Ambient temperature range T_U	- 25 ... + 100 °C
Ambient temperature range (lead) T_L	- 10 ... + 80 °C
Reverse polarity protection	yes
Connection	shielded PVC lead, LifYCY 3 x 0.5 mm ²
Maximum lead length	$\leq 150\text{ m}$
Weight	170 g + lead weight
Design	cylinder with flange
Housing material / sensing face	steel / plastic PBT
Protection rating according to EN 60529	IP 67

Mounting Instructions

Gear wheel St37 / C45



Operating Distance as a Function of Module and Operating Frequency



Notes

For mounting, a precise vertical alignment of the housing to the tooth flanks is necessary. The switching point is not in the geometric axis of the hall element sensor. Keep away metal cuttings from the sensing face. Avoid operation near strong magnetic fields. The distance between the connecting lead and the control leads of the inductive loads should be $\geq 30\text{ cm}$. Apply shield only device-sided on L- (0 V). When the sensor is switched on but not activated, the output signal may adopt either the low or the high state.
 The pulse sensor is self-calibrating making necessary several operating cycles to become adapted to the geometry of the application when connected to power supply. After this phase the distance between sensor and actuator must, as a matter of principle, not be changed again. The periodic changes of the operating distance (caused, for example, by vibrations of the plant), however, are compensated by the evaluation electronics.

Certification

Complies with standard EN 60947-5-2



Safety Regulations

Connection, commissioning and maintenance may only be accomplished by qualified or instructed staff.

We are certified according to DIN EN ISO 9001

Subject to technical changes!

Connection

DC voltage, three-pole,
push-pull output, outgoing PVC lead

